

ultraframe

Lean-to Veranda



Installation Guide

Version 1.0
July 10

Dear Customer,

Thank you for choosing the Ultraframe Lean-to Veranda. This guide must be read in conjunction with either the Classic or Classic Plus installation guides.

Ultraframe is rightly proud of its Classic roof. Over 1 million have been successfully installed over a 20 year period. We have continued to invest to improve the features that the homeowner will appreciate and that should make your life easier.

Any feedback –positive or negative – is welcomed so we can make the installation even smoother. Please contact technical support team on 0843 208 6953 or email techsupport@ultraframe.co.uk



Tools required



8, 10, 13mm
Socket Spanner



Deadblow
Hammer or White
Rubber Mallet



No. 2 Pozzi-drive Bit



5mm Wide Flat
Blade Screwdriver



Hack Saw



Drill/Screwdriver



Long nose pliers



Gasket Shears/
Snips



4.5mm Drill Bit
10mm Drill Bit



Sealant Gun



2 x 5mm Allen
Keys (Vic fixing kit)



17mm Open
Ended Spanner
- Tie Bars



Spirit Level



Tape Measure



Anglefinder



Plumb bob

General points

Care should be taken when handling components that are seen by the homeowner, as surfaces may be scratched if not handled with care. Choose a suitable area for unpacking the components and always check them before fitting. Any claims for missing or damaged parts are only accepted in line with our standard terms and conditions of sale.

Health & safety

Site safety is particularly important. The installation company shall be responsible for the safety of all of the fitting team, the customer and members of the public.

The Surveyor should have carried out a risk assessment to reduce risk on site and this should have been discussed with you prior to starting.

Please use safe working platforms and ladders that comply with BS EN 131. Always use equipment in line with manufacturers recommendations. Personal Protective Equipment –such as goggles, mask and ear defenders – should be used when, for example, grinding out for the flashing.

Careful consideration should be given to the safe disposal of all packaging – Ultraframe packaging is predominantly made from recycled materials and can be readily recycled.

Product

The roof kit is supplied with a location plan, a quality control check list for the box in which this guide arrives and, of course, this installation guide. The location plan is used to match individual components to their respective position on the roof. Our numbering convention always starts at the top left, against the house wall as you look from outside the conservatory back at the host wall.

The majority of aluminium and PVCu components contain identification codes, usually by inkjetting or labelling – should you need to re-order a part this should help. Please ask for a copy of our Classic product guide to keep in the van, which will give you further assistance with future identification – please call 01200 452367 to request a copy.

Sealing

It is important to use the correct sealant when sealing the roof.

1. For Roofs glazed with Polycarbonate (or standard sealed units) a low modulus neutral cure brand of silicone must be used
2. For roofs glazed with Conservaglass or other true `self cleaning` glass, then MS Polymer sealant such as Rotabond 2000 must be used.

Sealed Units

All protective handling tape must be removed prior to installation. For the correct selection of sealant please see above

The Superstructure

Check the host wall and new frames are level all round. Ensure that all frames/bifold doors which abut the host wall are vertically plumb, which will then allow perfect alignment with the Classic eaves beam. Before starting to install the roof, please check the condition of the host wall and whether it's plumb – depending upon what you find, these conditions can seriously affect the final integrity of the roof.

Technical Support

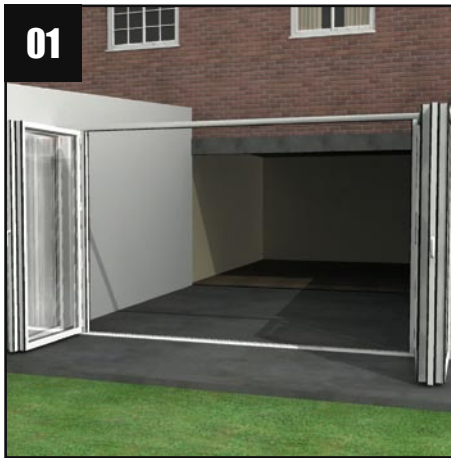
Tel 0843 208 6953
Fax 0843 208 6952
Email; techsupport@ultraframe.co.uk

Product Identification

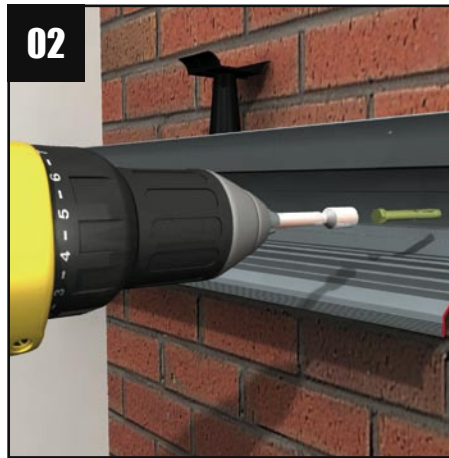


Veranda Installation

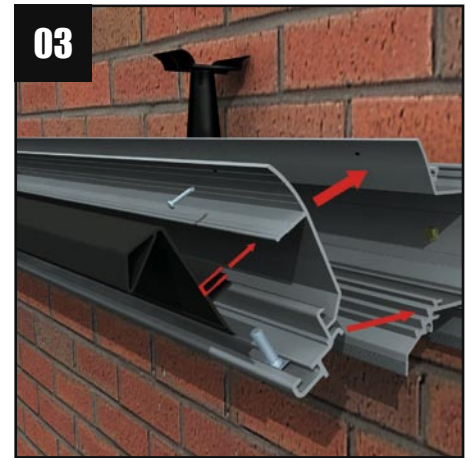
solid walls to each side



01 Your veranda construction should look like this prior to roof installation.



02 Separate the two parts of the aluminium half ridge body. Offer up the main half ridge body which fits between the two side walls. To set the height of the wall plate use the paperwork supplied. Attach to the host wall using anchor bolts at 500mm centres.



03 Next attach the baffle support – its position should be obvious from the fixing holes (for the self tapping screws) drilled during factory assembly.



04 Now clip on the wallplate PVC top cap, mark out for the flashing and grind out.



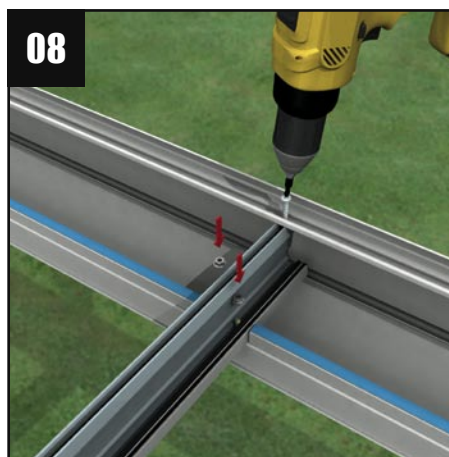
05 Take the Super Duty Eaves Beam and attach the aluminium fascia using XX screws - protect the painted/foiled surfaces.



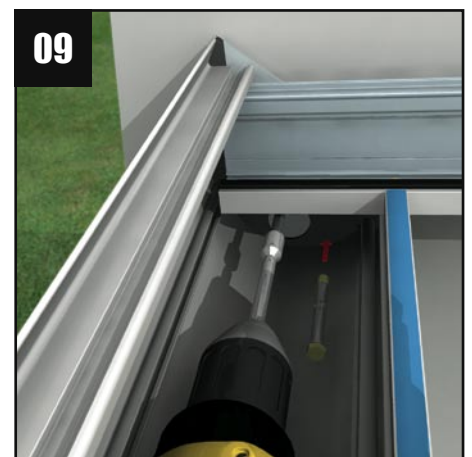
06 Next attach the Super Duty Eaves Beam to the head rail of the bi-fold doors. Lift the glazing bars into position and drop over the twin bolts in the captivated bolt slot at eaves and wallplate.



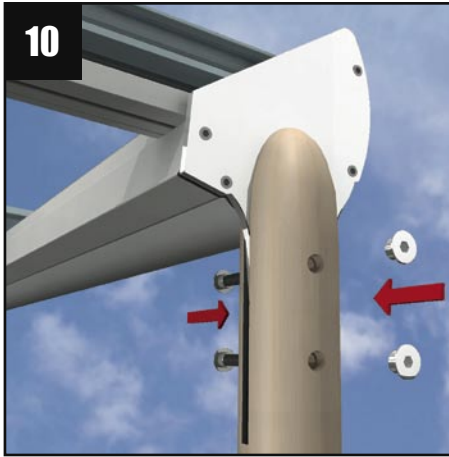
07 Carefully lift the veranda beam onto some trestles, and protect the painted underside. Take the end plate and post splice plate. Offer up the plates and rubber gasket as shown (to seal both ends) and tighten the M8x30 csk fixings with an Allen Key. Apply sealant around the thread of fixing.



08 Offer up the Veranda beam and secure the roofing bolts with nuts and use the self tapping screws to fasten the leading edge of the veranda beam into the head of the aluminium glazing bars using CRN010 fixings.



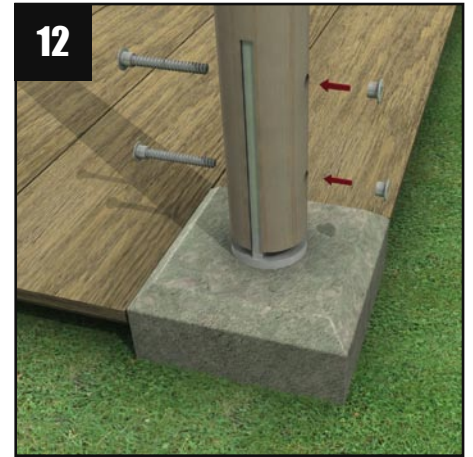
09 Ensure the starter bars are secured to the host walls at each side.



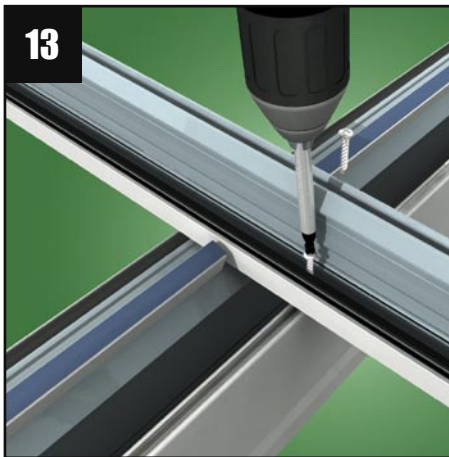
10
Attach the aluminium foot plate to the concrete pad foundation and fix using an appropriate anchor fixing - ensure plate lines up with the oak post.



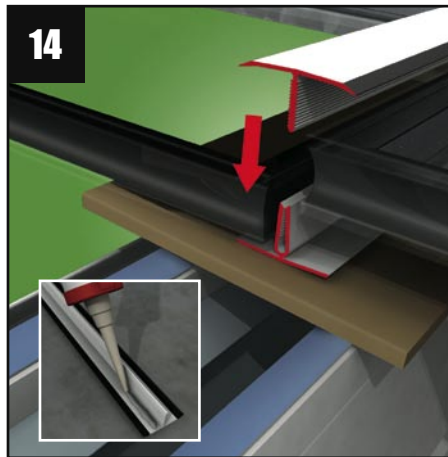
11
Attach the aluminium foot plate to the concrete pad foundation and fix using an appropriate anchor fixing - ensure plate lines up with the oak post.



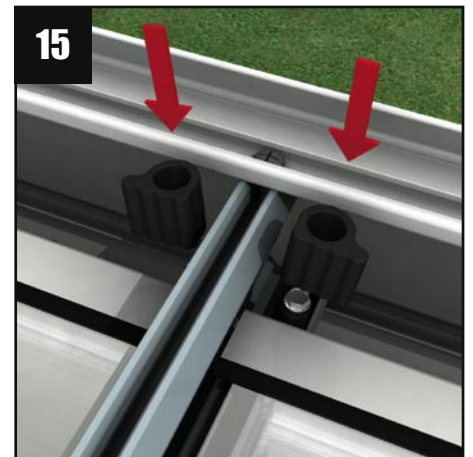
12
At the other end of the oak post, attach to the foot plate.



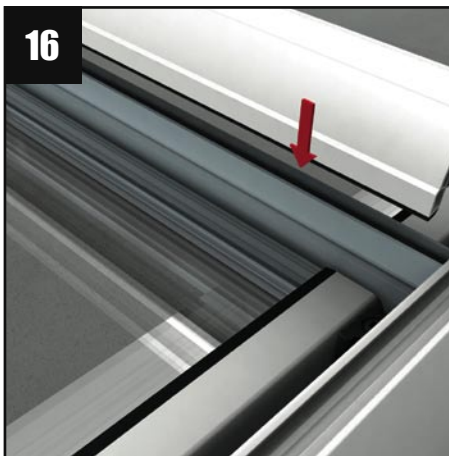
13
The glazing bars now need to be fastened to the aluminium fascia at the front edge of the Super Duty Eaves Beam (use UZSB003/1 fixings). Ensure the aluminium fascia is plumb. Glaze the roof.



14
Fitters tip - do not pull off the adhesive top protection until the muntin installation is complete. A flat rigid sheet material should be used to support the lower muntin section whilst installing the upper section.



15
Complete the installation of the glass support clips (the clips fit higher than normal).



16
Complete the installation of the cappings.



17
Complete the installation of the cloaking trim.



18
Complete the installation of the internal T sections.

ultraframe

Ultraframe (UK) Ltd, Salthill Road, Clitheroe, Lancashire. BB7 1PE

Ultraframe is a trading name of
Ultraframe (UK) Ltd.

www.ultraframe.co.uk